

RJ45 professional male 45° 4 pol. shielded

Ethernet

Ethernet CAT5

Male 90°

RJ45, 4-pole

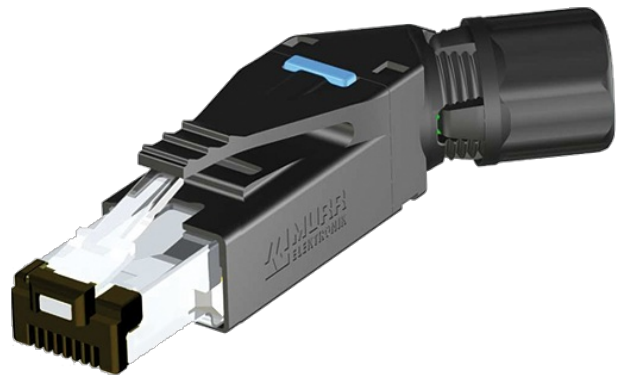
shielded

Protection IP20

Quick connection technology

Plastic housings with good resistance against chemicals and oils.

The resistance to aggressive media should be individually tested for your application. Further details on request.

[Link to Product](#)**Illustration**

Product may differ from Image

Approvals**More Info****Form**

Form 74021

General data

Temperature range -40...+70 °C

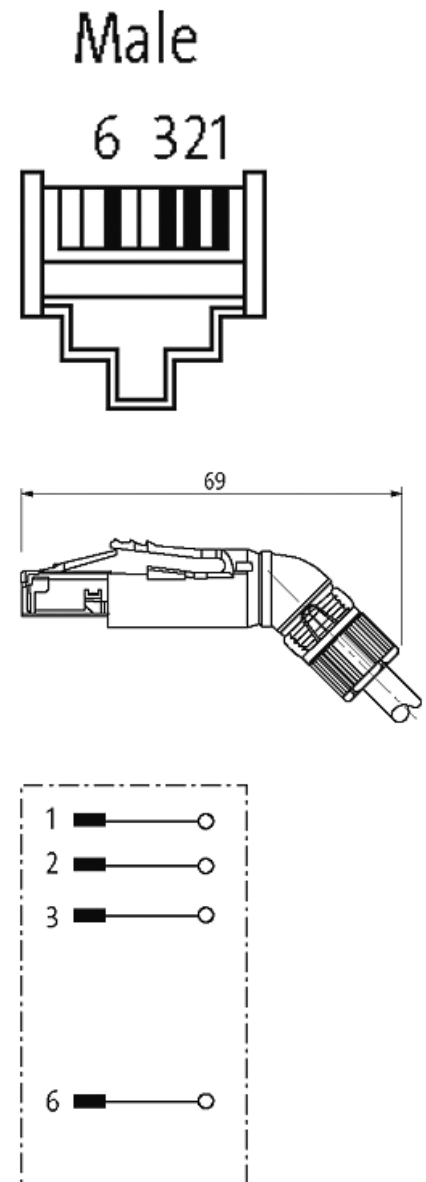
Technical Data

Operating voltage	max. 60 V DC
Operating current per contact	max. 1.76 A
Transfer parameters	CAT5, Class D (ISO/IEC 11801:2002), (EN 50173-1)
Transfer rate	up to 100 Mbit/s full duplex
Connection cross section	0.14...0.34 mm ² (AWG 26...22)
Sealing range (cable Ø)	4.5...8.0 mm

Outer wire Ø	max. 1.6 mm
Protection	IP20

Commercial data

country of origin	RO
customs tariff number	85366990
EAN	4048879409353
eClass	27279221
Packaging unit	1

Sketch

Product may differ from Image